



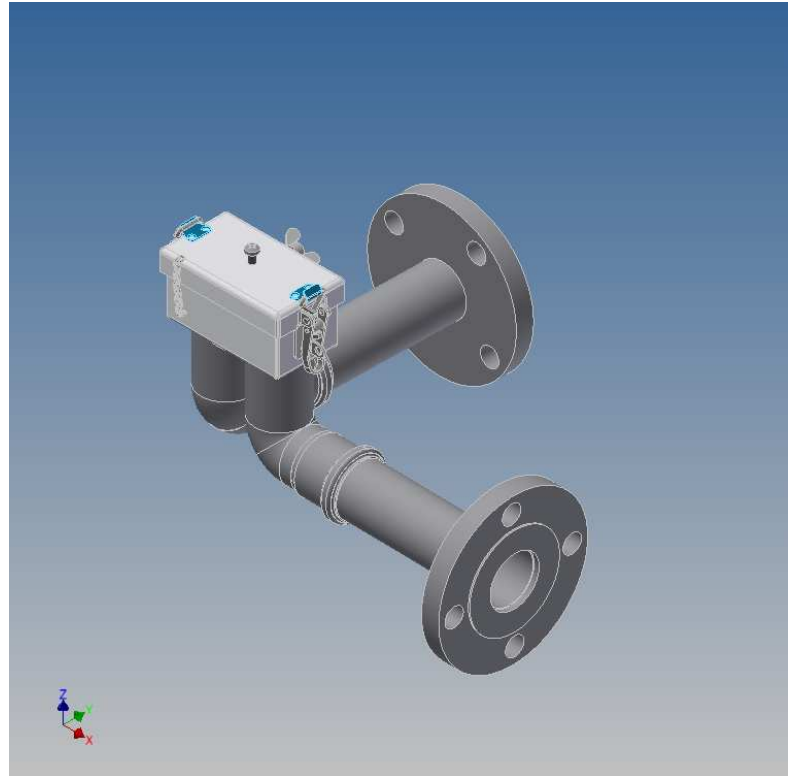
Covent Water trap for offshore use.

Watertrap for use either upstream or downstream of fan.

Fit for draining from filter, for both sides and drain from Cooling Coils.

Made in AISI 316L material, with plastic ball inside.

Made for easy and simple maintenance, just a ball to check .



Covent Watertrap is simple to install, adjusted for its purpose, depended on the pressure inside AHU. Delivery with Flange or Pipe thread connection

Type	Inlet dimension	Outlet dimension	Operating Pressure
CWTF (Flange type)	1"to 2"	1" to 2"	400 to 3000 Pa
CWTP (Pipe Thread)	1" to 2"	1" to 2"	400 to 3000 Pa
CWTE (Europipe)	1" to 2"	1" to 2"	400 to 3000 Pa