

M9206

2-Point Electric Spring-Return Damper-Actuator

Application

The Johnson Controls electric, spring return damper-actuator series has been specially developed for the motorised operation of safety air dampers (anti-icing) in air conditioning systems, smoke evacuation dampers and sealing dampers. When the control signal is applied the actuator drives the damper to the operational position, while evenly tensioning the integrated spring. After a power failure the spring immediately brings the damper to the safety position. The compact design and universal adapter fitted with variable rotation lock make this actuator highly versatile



Nomenclature / Specification / Technical data

M9206-BGA-1S	24 VAC	
M9206-BGB-1S	24 VAC	with one adjustable auxiliary switch
M9206-BDA-1S	230 VAC	
M9206-BDB-1S	230 VAC	with one adjustable auxiliary switch

Key Features

2-point control

Connection with halogen free cable

Up to 5 actuators in parallel operation possible

Simple direct mounting with universal adapter for fitting to Ø 10- mm to 20-mm shaft or 45-mm min shaft length

Selectable direction of rotation

Rotation limiting

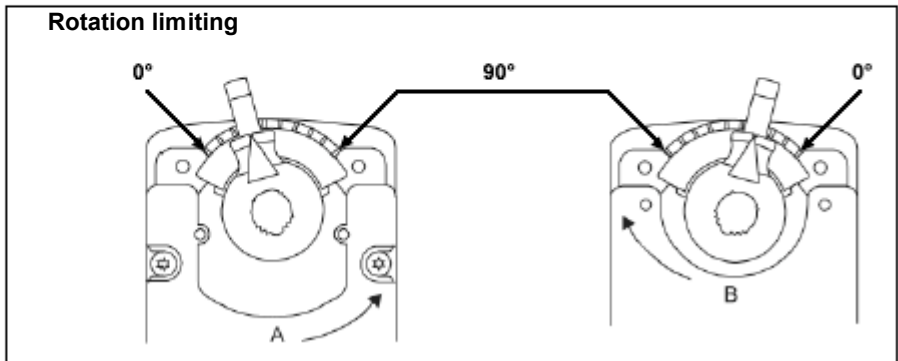
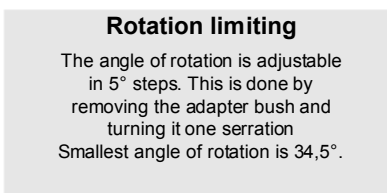
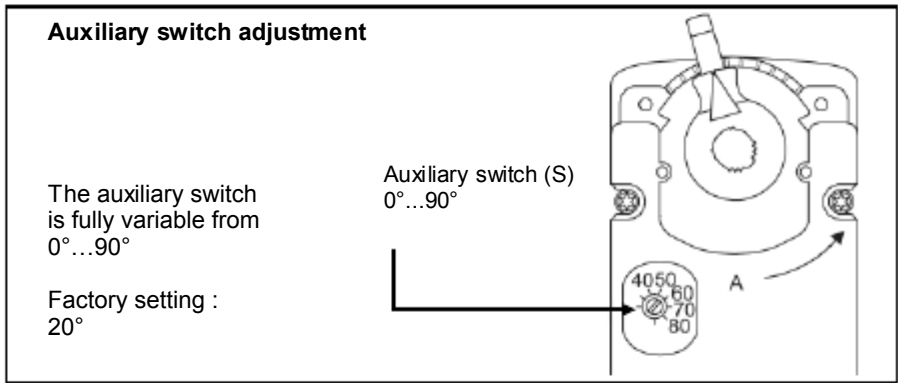
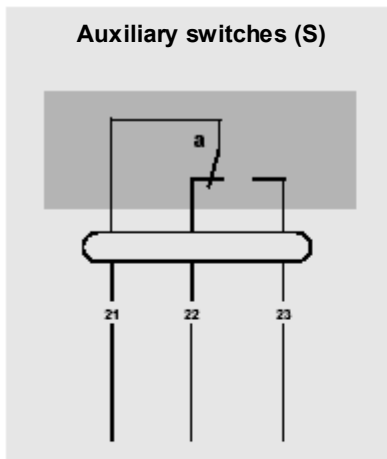
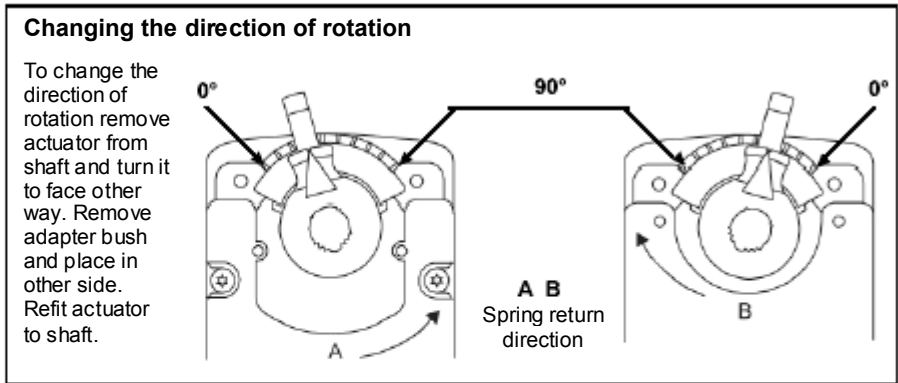
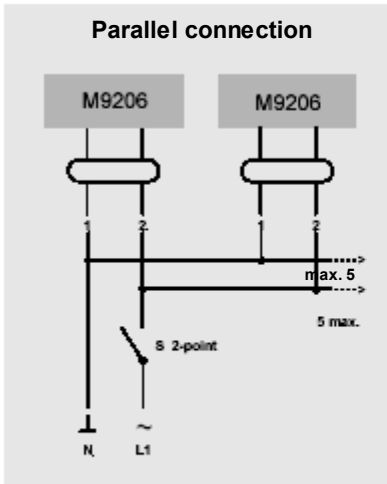
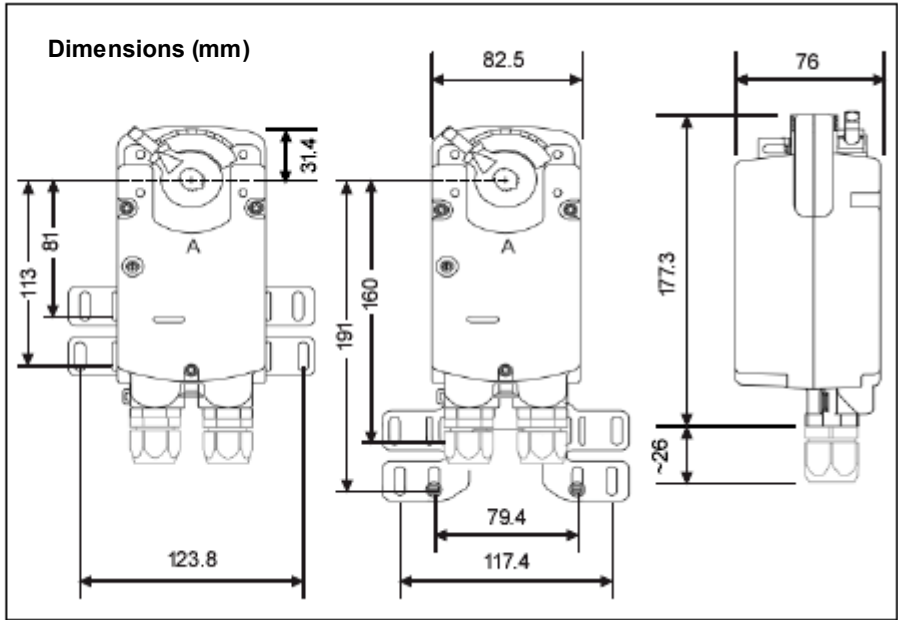
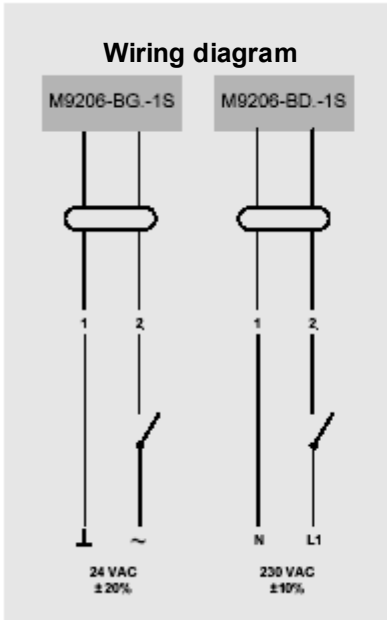
(1) variable aux. switch. See back page for settings

Automatic shut-off at end position (overload switch)

Energy efficient in end positions

Devices meet CE requirements

Actuator	Units	M9206-BG.-1S	M9206-BD.-1S
Torque	Nm	6	6
Damper area	m ²	1.1	1.1
Running time: motor opens	sec	10...40	10...65
Running time: spring closes	sec	35...70	35...70
Supply voltage	V	24 VAC	230 VAC
Frequency	Hz	50-60	50-60
Power consumption			
- Running	W	6.9	10.7
- Idle	W	4.2	7.2
For wire gauge	VA / I max	9.8 / 3.5 A @ 2 msec	11.0 / 0.2 A @ 2 msec
Weight	Kg	1.6	1.6
Control signal		2-point	
Angle of rotation / range		90° (93° mech.)	
Angle of rotation / limit		34.5°...90°	
Approx. life time		60'000 cycles	
Auxiliary switches		3(1.5) Amp 230 V	
Setting range		0°...90°	
Noise level		55 d B (A)	
Enclosure class		II	
Enclosure Protection		IP 42	
Cable adapter		1,2 m	
Mode of action		Type 1	
Ambient conditions			
- Operating temperature		IEC 721-3-3 -32...60°C	
- Storage temperature		IEC 721-3-2 -40...86°C	
- Humidity		5...95% rH non condensing	
Service		Maintenance free	
Standards		Mechanics	EN60529/EN60730-2-14
		Electronics	EN60730-2-14
	EM/interference emissions	EN50081-1:92/ EC61000-6:3:96	
	EM/interferenceresistance	EN50082-2:96/ EC61000-6:2:99	



For details of installation and commissioning see Service and Data Information (SDI)

The performance specifications are nominal and conform to acceptable industrial standards. For application at conditions beyond these specifications, consult the local Johnson Controls office. Johnson Controls Incorporated shall not liable for damages resulting from misapplication or misuse of its products.

JOHNSON CONTROLS
Johnson Controls International, Inc.
Headquarters:
European Customer Service Center:
European Factories:
Branch Offices

Milwaukee, Wisconsin, USA
Westendhof 3, D-45143 Essen, Germany
Essen (Germany), Leeuwarden (The Netherlands) and Lomagna (Italy)
Principal European Cities

: Printed in Germany