

	Angular Pos / BB	Regulation °C	Diff. °C
X			
Y		110±4	
Z			

Submerged cap. length = 50 mm

Terminals 6.3 x 0.8 mm

Bulb ST/ST COPPER

Capillary ST/ST COPPER

stem length 1066 ±25mm

No of spirals Standard

Of diameter Standard

Sleeving 975 ±25mm

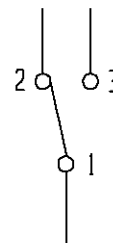
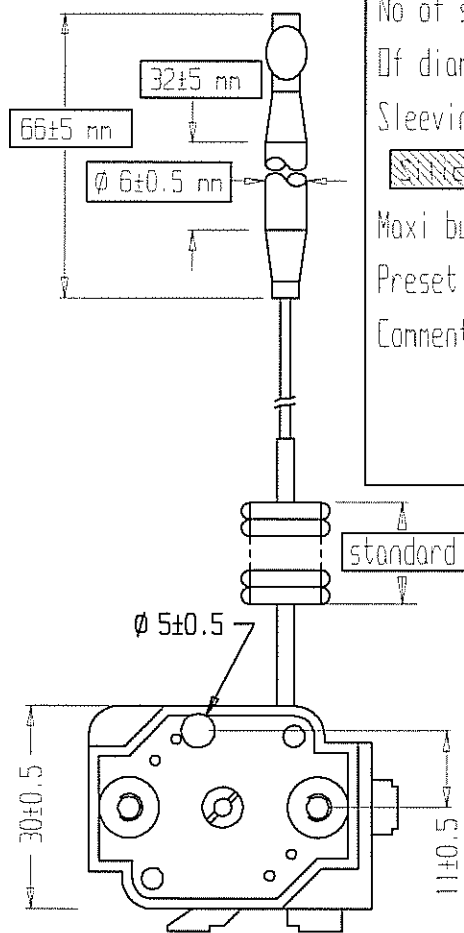
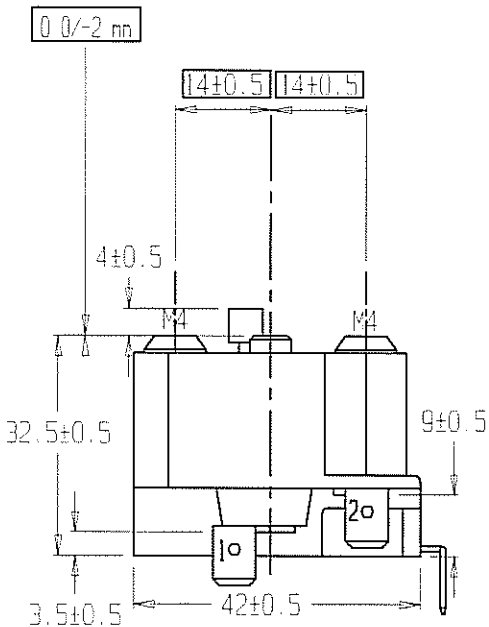
code RIFE PEr

Maxi bulb temp. 132°C

Preset in position : Fixe

Comments :

spindle in min. position



Marking

COTHERM
 ... GTLHR315
 1-2 AC 20A 250V
 1-3 AC 5A 250V

NORMS: -Approvals BEAB: EN60730-1
 EN60730-2-9
 T 100
 1-2 20A 250V ~
 1-3 5A 250V ~

REFER.	MODIFICATION	N°: C00214	DATE	VISA	ACCEPTED ON	VISA
G.T.:	SAMPLE	DESIGNATION		<i>COTHERM</i>		
Scale : 1/1	N°: E -	GTLHR3 FIXE 110°C				
Drawn on : 11/12/00	by : O M	GTLHR315				
Approved on : 11/12/00	by : B R					

THIS DRAWING IS THE EXCLUSIVE PROPERTY OF COTHERM COMPANY AND MUST NOT BE COPIED OR TRANSMITTED TO THIRD PARTIES